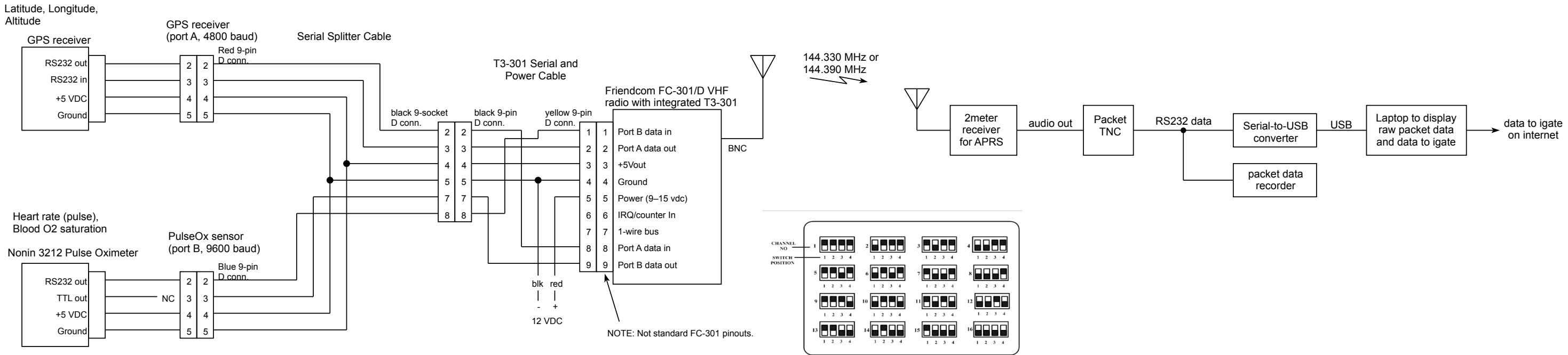


GPS/PulseOx to APRS Transmitter Wiring Diagram, PM-E1006



Serial Splitter Cable
 "Y" splitter cable, 1 female DB9 to two male DB9s. When used with the Tracker2, Tracker3, or OpenTracker USB, port 'A' will be on the red connector and port 'B' on the blue connector. Both connectors have pins 4 and 5 connected straight through for GPS power and ground. The connections are as follows:

- Black 2 - Red 2
- Black 3 - Red 3
- Black 4 - Red 4 and Blue 4
- Black 5 - Red 5 and Blue 5
- Black 7 - Blue 3
- Black 8 - Blue 2

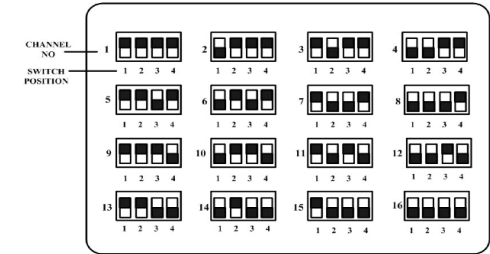
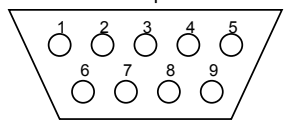
T3-301 Serial and Power Cable
 This cable is designed to simplify connection of the T2-301 or T3-301 TNC/radio combination. The yellow end connects to the tracker module, and the black end has the same pinouts as the OT2m/OT3m, allowing direct connection of a GPS receiver, PC, Y-splitter cable, etc.

Power is provided to the tracker through the red and black power lead. Anderson Powerpole connectors or a cigarette lighter plug with LED indicator are available as options below. Power lead length is 50 cm / 19", data lead length is 12 cm / 5".

This cable should not be used with the FC-301/D radio without the tracker board installed.

- 1 Port B in
- 2 Port A out
- 3 +5V out
- 4 GND
- 5 Power in (9-15V)
- 6 IRQ/Counter in
- 7 1-wire bus
- 8 Port A in
- 9 Port B out

DB-9, solder side of socket connector, or contact side of pin connector



NOTE: Not standard FC-301 pinouts.

- Drawing Index:**
- PM-E1000 General Wiring Diagram
 - PM-E1001 Primary Air-to-Ground Wireless Video Wiring Diagram
 - PM-E1002 Secondary Air-to-Ground Wireless Video Wiring Diagram
 - PM-E1003 I-Gate Station Wiring Diagram
 - PM-E1004 UHF Wireless Video Wiring Diagram
 - PM-E1005 Video Receive, Select, and Stream Wiring Diagram
 - PM-E1006 GPS and PulseOx to APRS Transmitter Wiring Diagram
 - PM-E1007 Weather Station Wiring Diagram
 - PM-E1008 Jumper 2-Way Radio Communications Wiring Diagram
 - PM-E1009 Jumper HF Communications Wiring Diagram
 - PM-E1010 Slow Scan Television SSTV Camera Wiring Diagram

NOTES: UNLESS OTHERWISE SPECIFIED

- 1 APPLY
- 2

1	10-13-15	Updated drawing numbers.	MF Wright
0	10-6-15	initial release	MF Wright
REV	DATE	REVISION DESCRIPTION	DRAWN APP

PARACHUTE MOBILE "In The Air, On The Air" www.parachutemobile.org			
Parachute Mobile Communication Systems GPS and PulseOx to APRS Transmitter Wiring Diagram			
DRAWN MF WRIGHT	CHK	INDEX	FSCM. NO.
DESIGN ENGR MF WRIGHT	TEAM POSITION Video Ops		DATE 10-13-15
NEXT ASSY	USE ON	CONSULTANT M. PECHNER	AS DWG NO Sheet 1 of 1
APPLICATION		TEAM COORDINATOR R. FENN	SCALE NONE
PM-E1006			REV 1